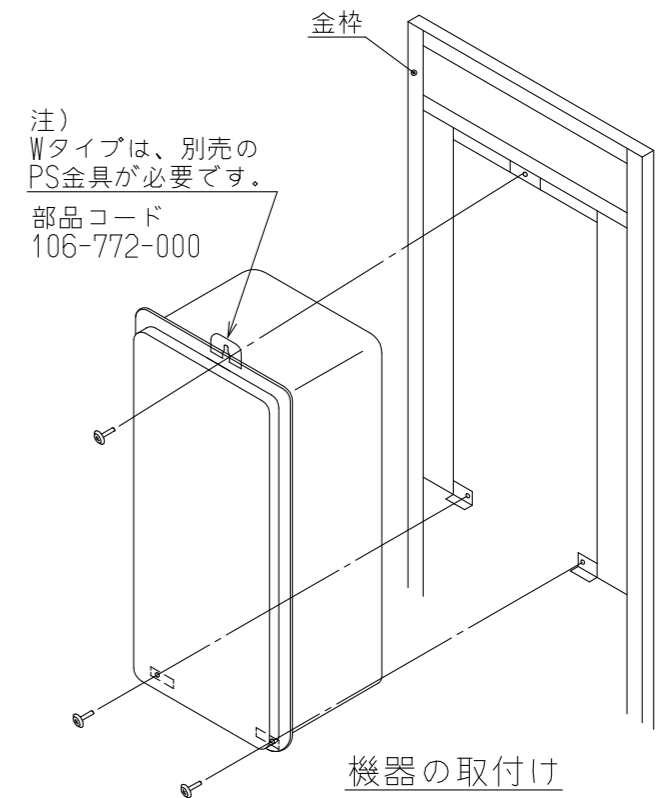
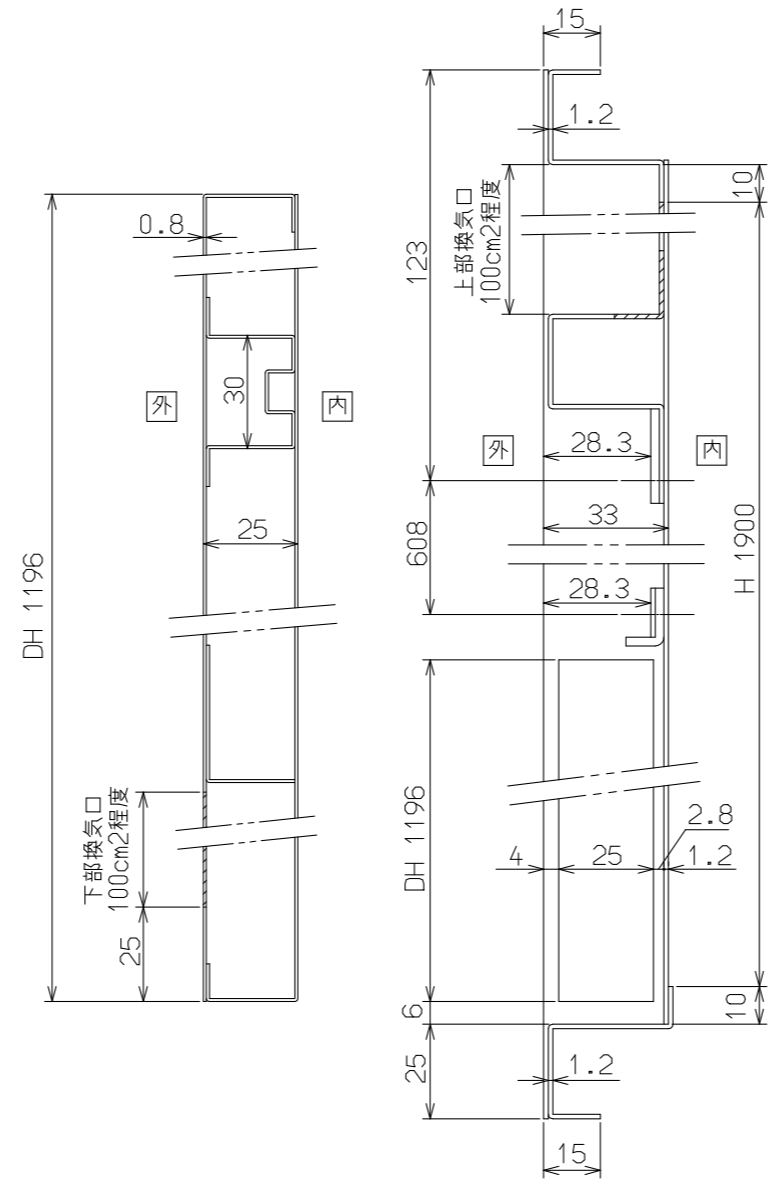
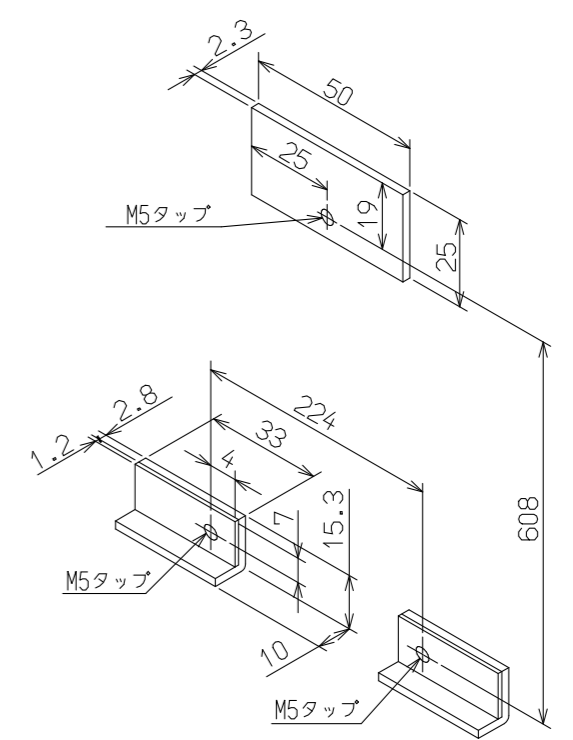
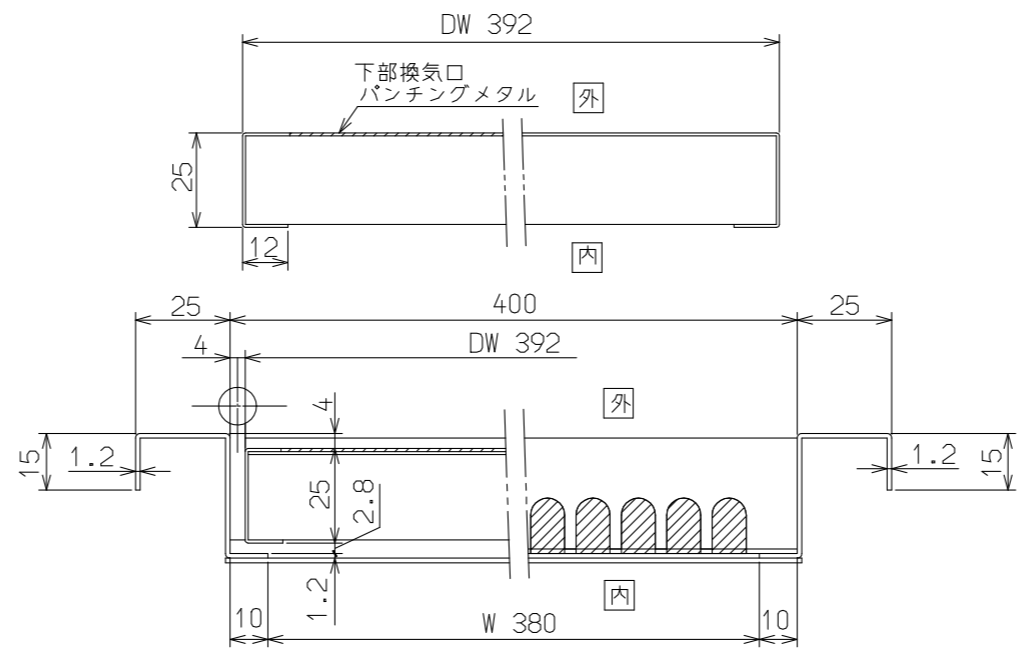
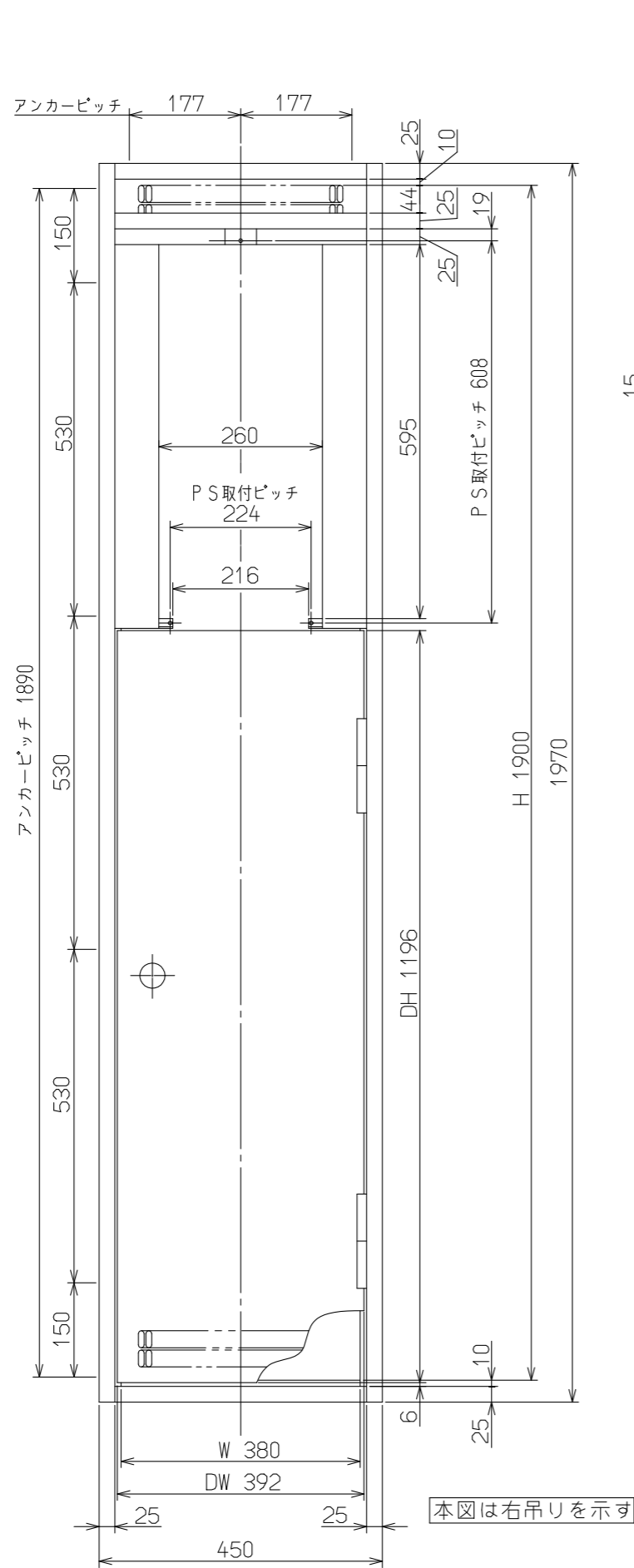


(単位: mm)



名称	PS金枠寸法図 (直付設置 換気口100cm ²)					
型式	RUF-SEP2005AW(A)	RUF-SEP2015AW(A)	RUF-SEP1605AW(A)	RUF-SEP1615AW(A)		
	RUF-SEP2005SAW(A)	RUF-SEP2015SAW(A)	RUF-SEP1605SAW(A)	RUF-SEP1615SAW(A)		
	RUF-SEP2005AT(A)	RUF-SEP2015AT(A)	RUF-SEP1605AT(A)	RUF-SEP1615AT(A)		
	RUF-SEP2005AT-L(A)	RUF-SEP2015AT-L(A)	RUF-SEP1605AT-L(A)	RUF-SEP1615AT-L(A)		
	RUF-SEP2005SAT(A)	RUF-SEP2015SAT(A)	RUF-SEP1605SAT(A)	RUF-SEP1615SAT(A)		
	RUF-SEP2005SAT-L(A)	RUF-SEP2015SAT-L(A)	RUF-SEP1605SAT-L(A)	RUF-SEP1615SAT-L(A)		
	RUF-SEP2005AA(A)	RUF-SEP2015AA(A)	RUF-SEP1605AA(A)	RUF-SEP1615AA(A)		
	RUF-SEP2005SAA(A)	RUF-SEP2015SAA(A)	RUF-SEP1605SAA(A)	RUF-SEP1615SAA(A)		
	作成	2020.04	尺度	1:10	サイズ	A3