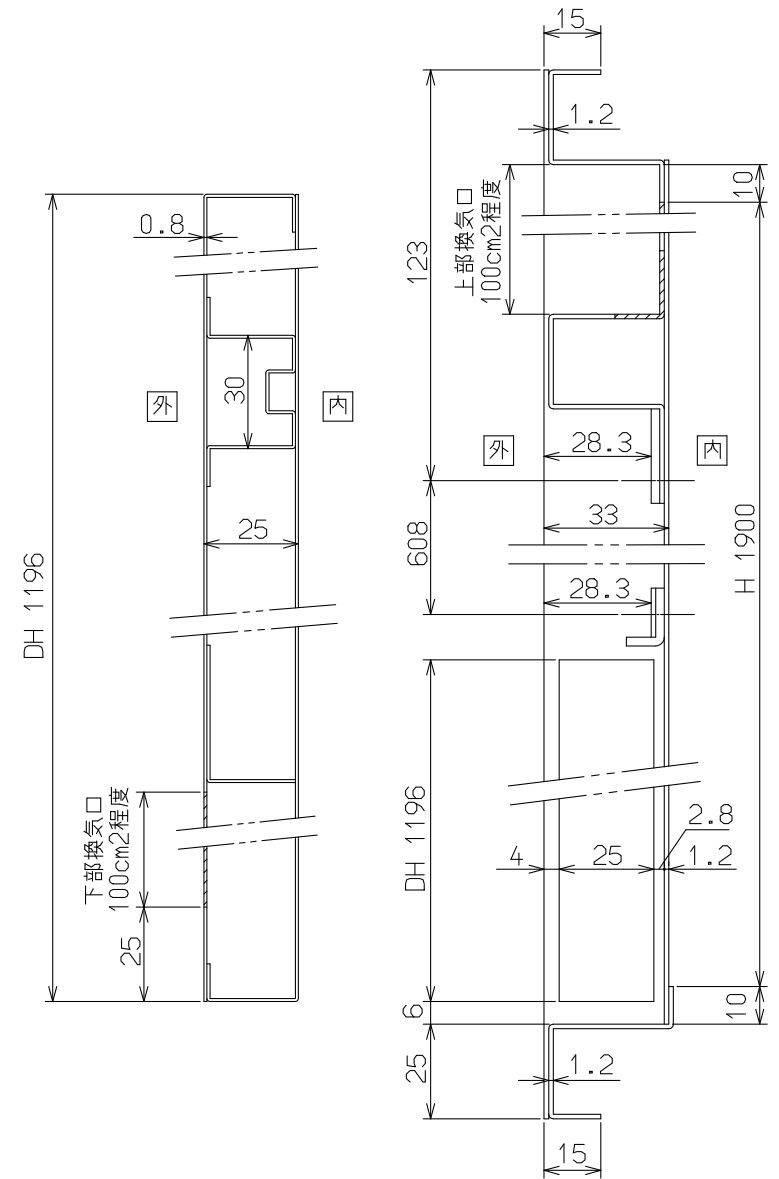
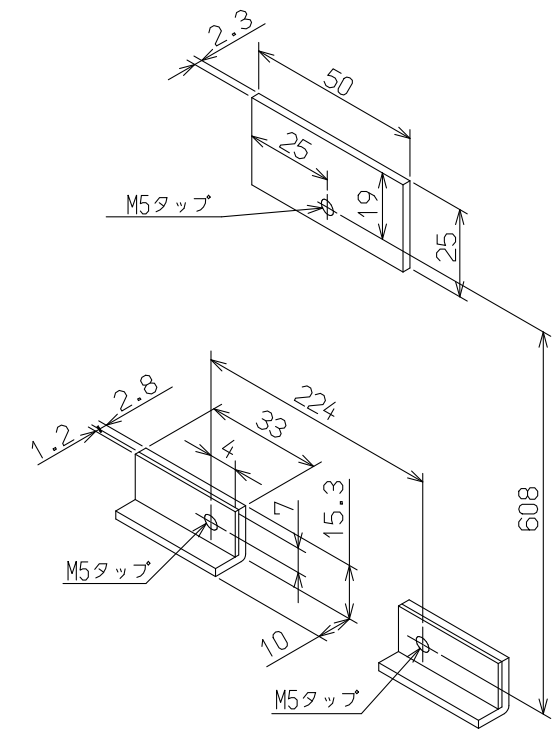
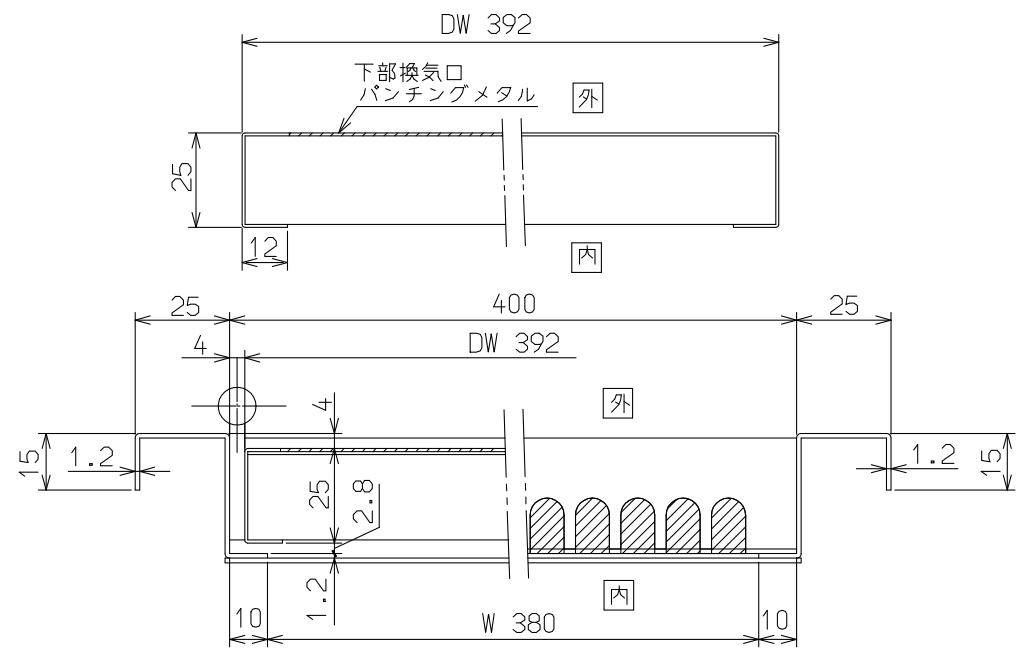
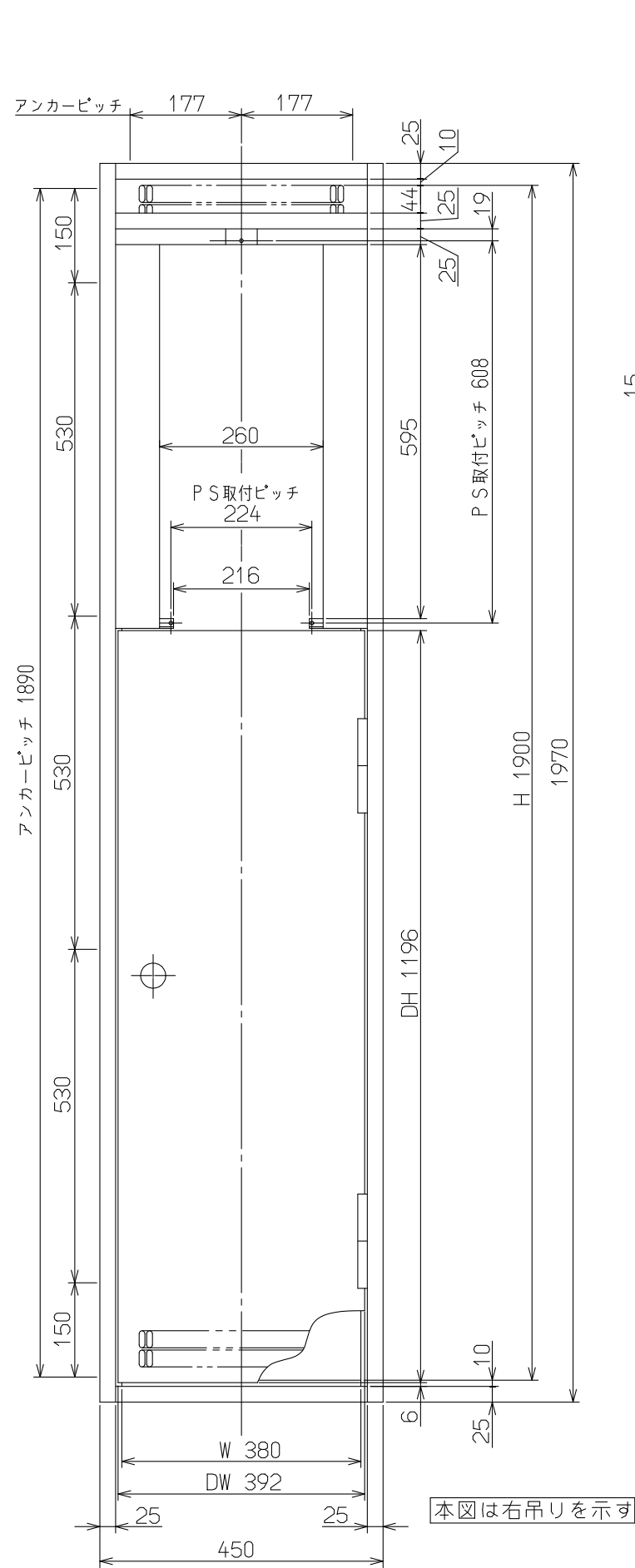
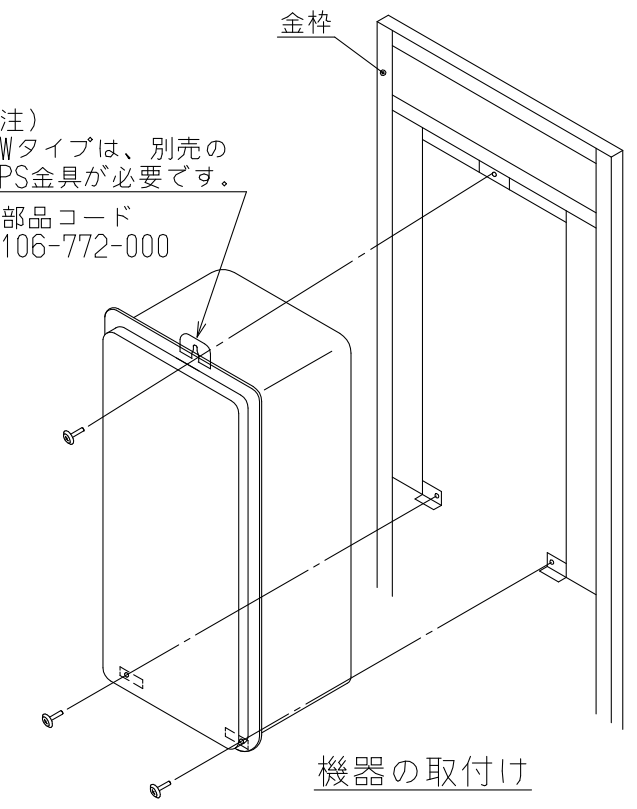


(単位: mm)



注)
Wタイプは、別売の
PS金具が必要です。
部品コード
106-772-000



名称	PS金枠寸法図 (直付設置 換気口100cm ²)				
型式	RUF-SE2005AW(A)	RUF-SE2015AW(A)	RUF-SE1605AW(A)	RUF-SE1615AW(A)	
	RUF-SE2005SAW(A)	RUF-SE2015SAW(A)	RUF-SE1605SAW(A)	RUF-SE1615SAW(A)	
	RUF-SE2005AT(A)	RUF-SE2015AT(A)	RUF-SE1605AT(A)	RUF-SE1615AT(A)	
	RUF-SE2005AT-L(A)	RUF-SE2015AT-L(A)	RUF-SE1605AT-L(A)	RUF-SE1615AT-L(A)	
	RUF-SE2005SAT(A)	RUF-SE2015SAT(A)	RUF-SE1605SAT(A)	RUF-SE1615SAT(A)	
	RUF-SE2005SAT-L(A)	RUF-SE2015SAT-L(A)	RUF-SE1605SAT-L(A)	RUF-SE1615SAT-L(A)	
	RUF-SE2005AA(A)	RUF-SE2015AA(A)	RUF-SE1605AA(A)	RUF-SE1615AA(A)	
	RUF-SE2005SAA(A)	RUF-SE2015SAA(A)	RUF-SE1605SAA(A)	RUF-SE1615SAA(A)	
作成	2020.03	尺度	1:10	サイズ A3	リンナイ株式会社